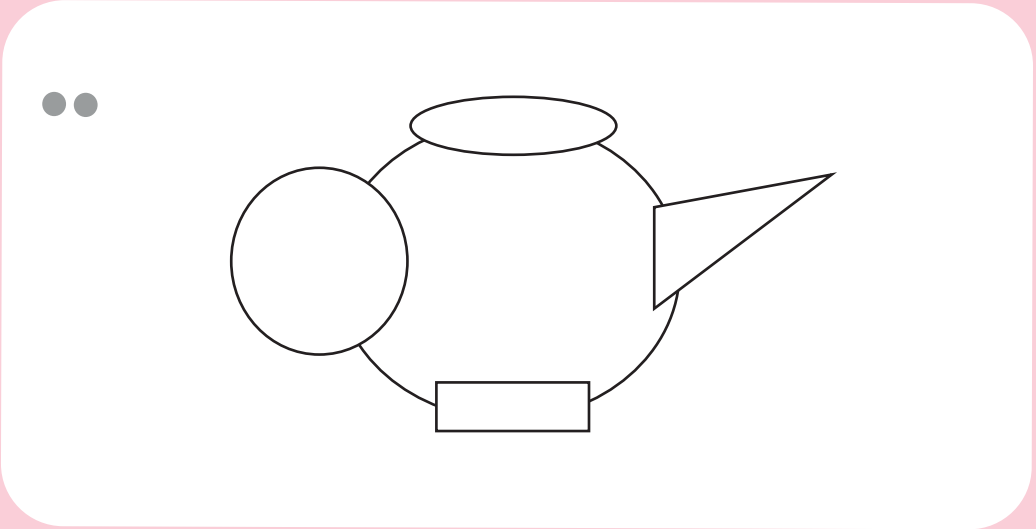
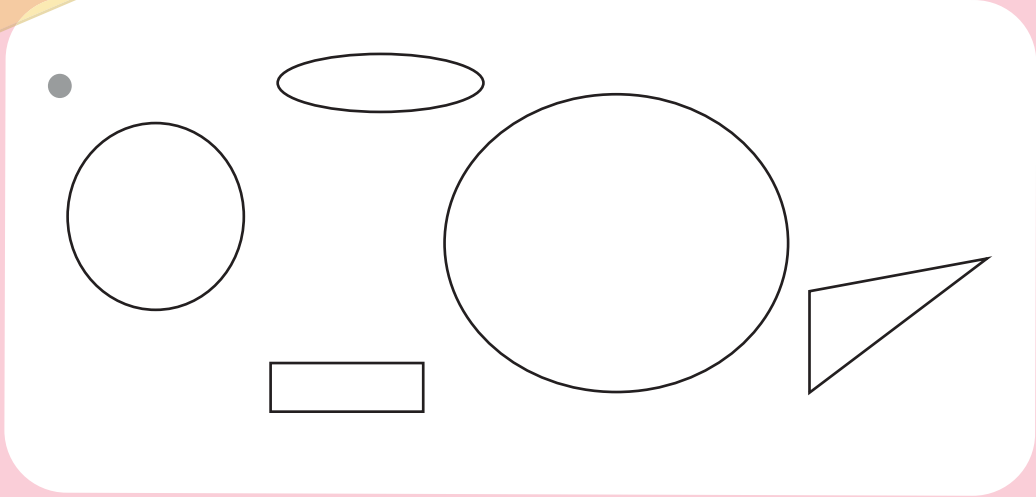


قارچ را به ترتیب زیر نقاشی کن.

The image shows a sequence of four steps for drawing a mushroom, arranged in a 2x2 grid. Each step is contained within a light blue rounded rectangle. The top-left rectangle has a yellow torn paper effect at its top-left corner. The bottom-right rectangle has a yellow torn paper effect at its bottom-right corner. The steps are: 1. A simple black outline of a dome. 2. A circle with a dashed horizontal line across its middle. 3. A fully colored mushroom with a red cap, yellow spots, and a white stem. 4. A white mushroom with a white stem. There are two pairs of grey dots between the top and bottom rows of rectangles.

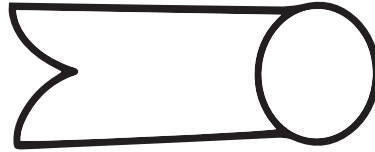
مراحل زیر را به ترتیب انجام بده تا یک قوری بکشی.



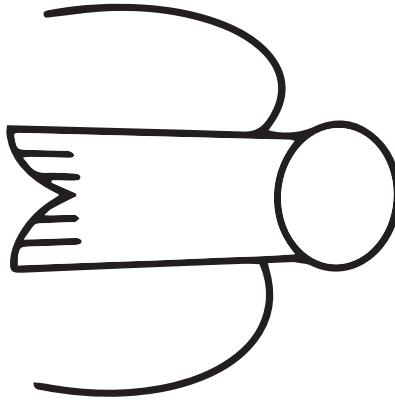


برای کشیدن پرنده به ترتیب مراحل زیر نقاشی کن.

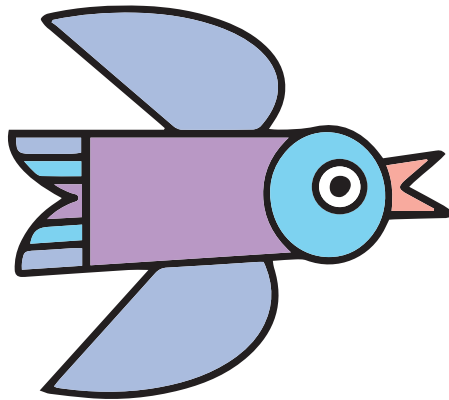
•



••



•••



پرنده را به ترتیب مراحل زیر نقاشی کن.

